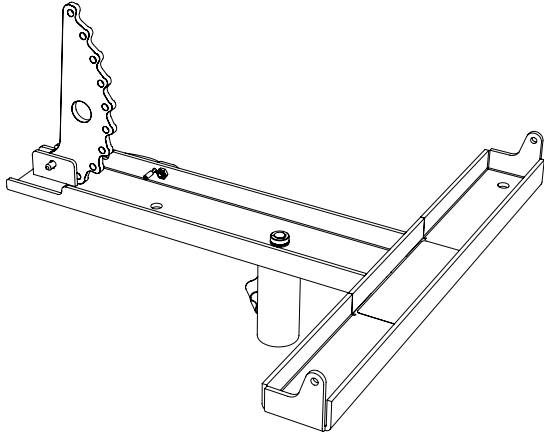




SRX906LA PM

Pole Mount for SRX906LA

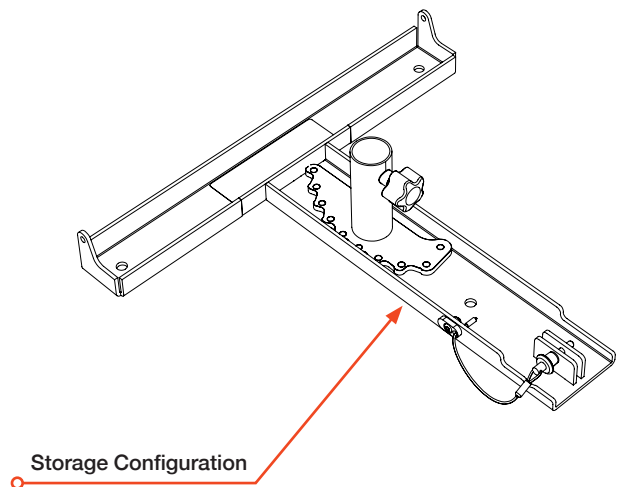
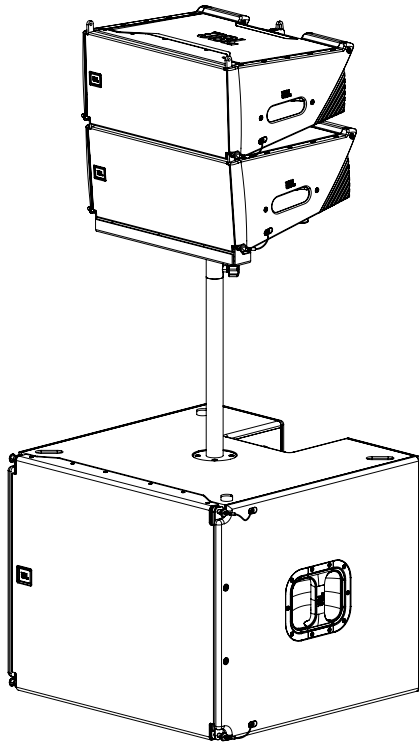


HIGHLIGHTS

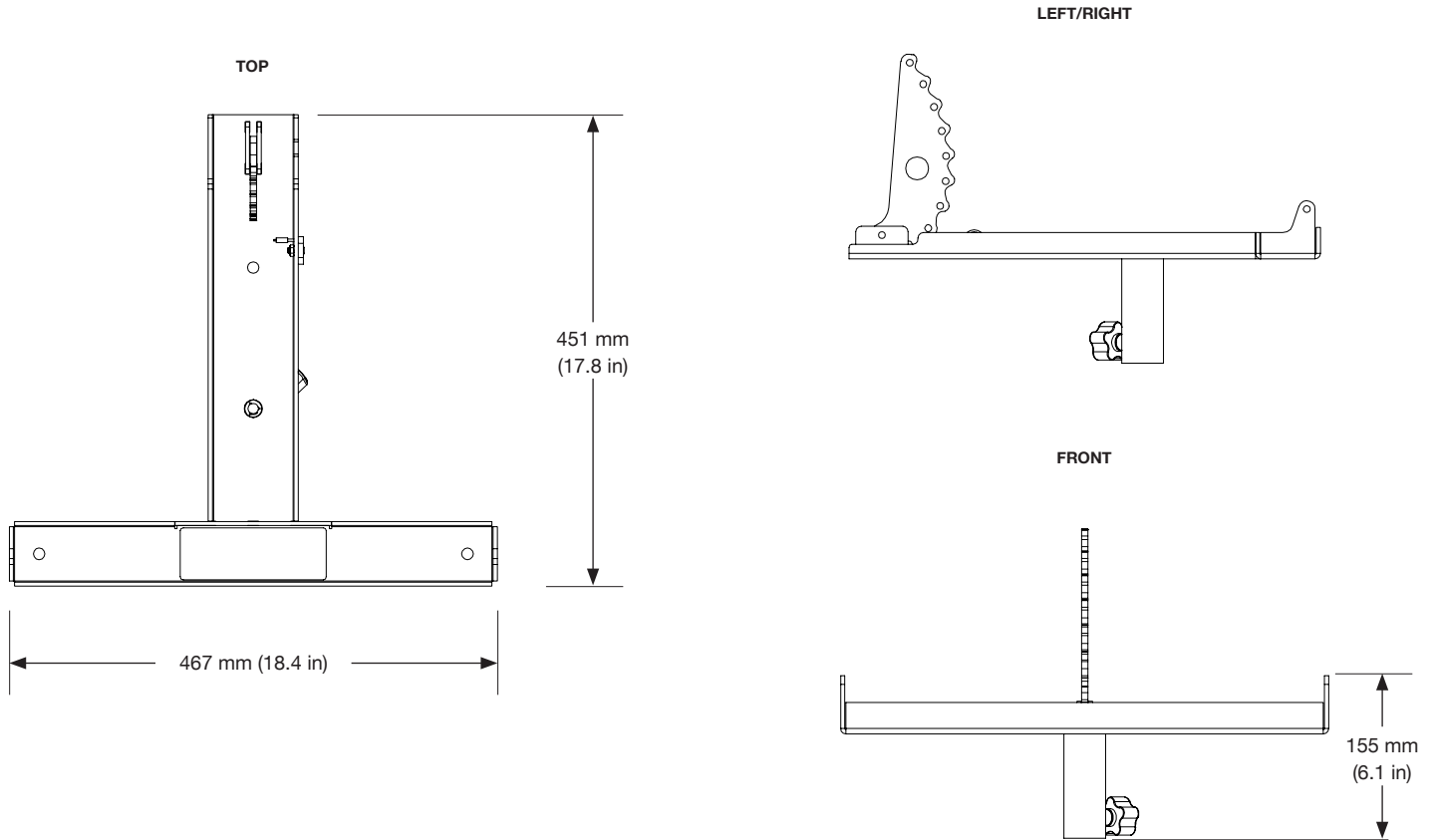
- Enables pole mounting SRX906LA
- Universal 35 mm pole mount
- Angle range: -15 degrees to +5 degrees
- Support for up to (2) SRX906LA Cabinets

DESCRIPTION

The SRX906LA Pole Mount is an adapter frame that enables SRX906LA arrays to be stacked on top of standard 35 mm extension rods and speaker stands. The rear angle selection bar allows for angles ranging from -15 to +5 degrees. The three included M10 through-holes can be used to permanently attach an SRX906LA array to other support structures. Configurations and load conditions for using the SRX906LA PM can be obtained using JBL simulation software. For more information about the base plate and use cases refer to the **SRX900 Series Rigging Manual**.



DIMENSIONS



TECHNICAL SPECIFICATIONS

PHYSICAL	
Construction :	High-grade steel with anti-corrosion coating
Finish :	Black powder coat
Mechanical Limits¹	
Safe Limit :	(1) SRX906LA
Maximum Limit :	(2) SRX906LA
Dimensions (H x W x D)²:	155 mm x 467 mm x 451 mm (6.1 in x 18.4 in x 17.8 in)
Net Weight³ :	4.0 kg (9 lbs)
Shipping Weight :	5.4 kg (12 lbs)
ORDERING INFORMATION	
SKU :	JBL-P3508MX SRX906LA PM
Included :	(1) Pole Mount Frame (1) M10 Pole Mount (1) Angle Bracket

Footnotes:

1: Always use JBL simulation software to check mechanical safety when using the SRX906LA Pole Mount. For more information on Safe and Maximum Limits, refer to the **SRX900 Rigging Manual**.

2: Refer to the 2D and 3D Customer Drawings for more detailed dimensions.

3: Weight includes SRX906LA PM only.

JBL continually engages in research related to product improvement. Some materials, production methods, and design refinements are introduced into existing products without notice as a routine expression of that philosophy. For this reason, any current JBL product may differ in some respect from its published description, but will always equal or exceed the original design specifications unless otherwise stated.