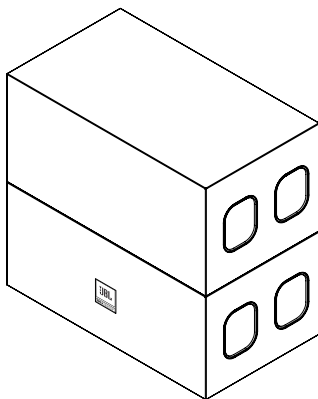




SRX928S VT CVR

Vertical Transporter Cover for SRX928S

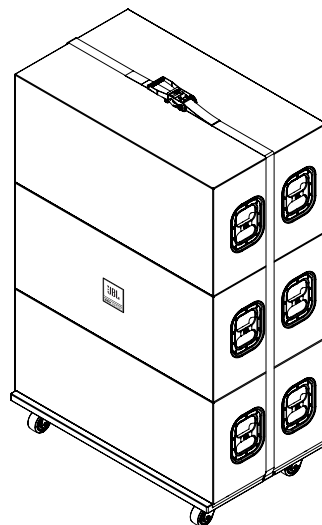
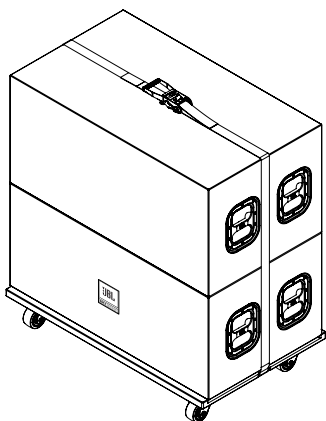


HIGHLIGHTS

- Heavy duty soft cover for SRX928S stacks
- Covers two or three SRX928S enclosures
- Includes amplifier flaps for testing purposes
- Handle cutouts for easy transportation
- Heavy duty industrial-grade zippers
- Foldable design for storage

DESCRIPTION

The SRX928S VT CVR is a heavy duty soft cover designed to work with the SRX928S VT Vertical Transporter. The cover is sized to cover two or three SRX928S enclosures and features two industrial-rated zippers for easy and reliable deployment. The cover includes amplifier flaps, allowing SRX928S enclosures to be tested without having to remove the cover. Handle cutouts are provided for easy manipulation, and the front section panels are internally reinforced for maximum protection of the speaker grilles. The SRX928S VT CVR folds into a compact footprint when not in use.



PHYSICAL

Construction : Black, polyethylene (PE) fabric

Net Weight : 10.4 kg (23 lbs)

Shipping Weight : 12.8 kg (28 lbs)

ORDERING INFORMATION

SKU : JBL-P3507 | SRX928S VT CVR

Included : (1) Cover