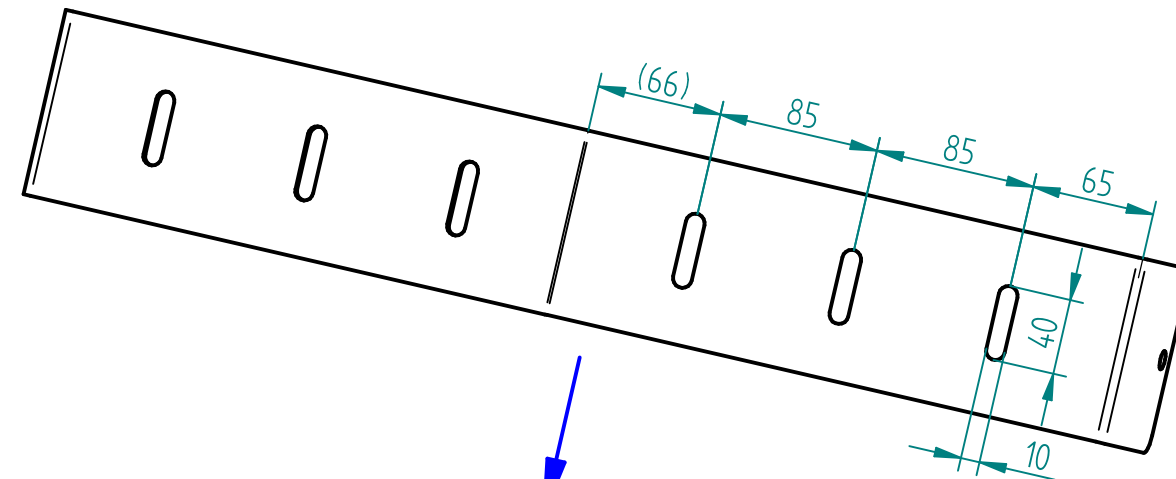


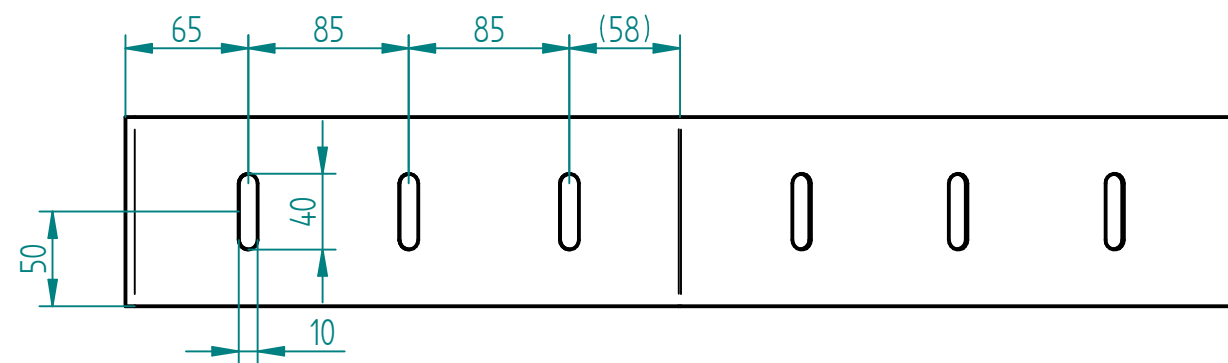
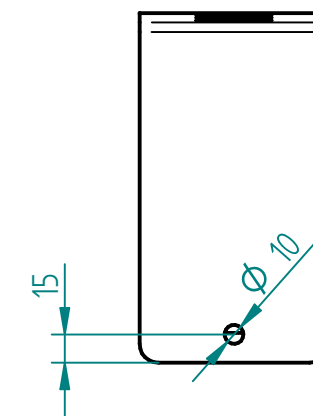
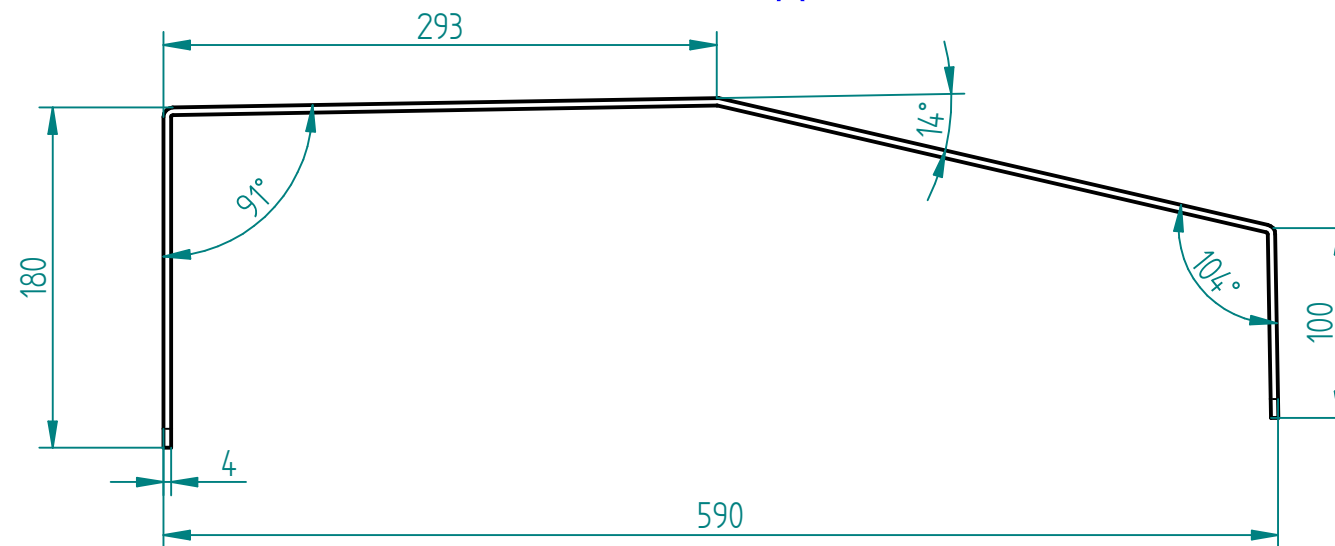
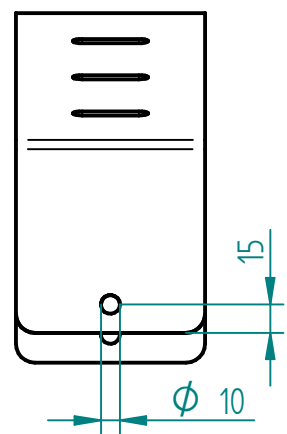
REVISION HISTORY


REV	DESCRIPTION	DATE	APPROVED

VIEW A



A



	NAME	DATE	 Stantræk A/S		
DRAWN	jks	19-12-24			
CHECKED					
ENG APPR					
MGR APPR			TITLE		
DS/ISO 2768-m			SIZE A3	DWG NO	REV
			FILE NAME: U-beslag rev01.dft		
			SCALE: 1:4	WEIGHT:	SHEET 1 OF 1