

# uniCOS T/MM10 Mike

## uniCOS 10" Tabletop Multimedia Unit



### Description

uniCOS T/MM10 Mike is Televic's tabletop multimedia conferencing unit, specifically designed for the Plixus architecture. Power is delivered over the Plixus conference network, so no additional power distribution towards the room is required. No need for different devices, you can configure the uniCOS T/MM Mike as either a delegate or a chairman unit.

Every participant has access to all audible and visual information on his or her proper uniCOS unit.

Participants can speak, see, hear, and interact with delegate stations by combining video, audio, and document sharing.

uniCOS T/MM10 Mike features a bright 10" adjustable touchscreen that you can angle into different positions, from fully horizontal to an angle of 90°. The screen gives participants intuitive access to every uniCOS feature. From video selection, over messaging and talking to other participants, agendas, delegate information, texting, to voting, and the option to hide features that are not relevant to the meeting. With the integrated camera, you can easily configure talking heads.



### Features

The uniCOS tabletop unit features the following functionality:

- » Solid, stable tabletop design with more flexibility than a flushmount version
- » Connected to interchangeable Plixus ports. No dedicated IN and OUT ports.
- » Daisy chain or closed loop using Cat 5e / Cat 6 cable.
- » 10" adjustable touch screen
- » Integrated 5 MP camera providing live video of the last active speaker
- » Units configurable as delegate or chairman
- » Create a custom standby screen using an image or one of the video streams
- » On-screen Priority and next button for delegate microphone control
- » Microphone control on chairperson units
- » 6 low-latency video streams with a latency lower than 1 frame
- » Televic's "Rich Sound Processing" resulting in a crisp and clear sound that is also warm and human
- » Microphone activation button
- » Configurable LED color for microphone status (red / green)
- » Push & Lock socket to connect a removable microphone immune to mobile interface. Microphones available separately:
 

- Mike LPM	71.98.0091
- Mike PLM301F	71.98.0093
- Mike PLM401F	71.98.0094
- Mike PLM502F	71.98.0095
- Mike PLM602F	71.98.0096
- Mike PLM402F	71.98.0098
- Mike LPM	71.98.0091
- » RFID card reader for authentication, with support for Mifare Classic & DESfire

- » Build-in loudspeaker, automatically muted when microphone is active
- » 3.5 mm stereo headphone connector
- » Volume and language selection on touchscreen
- » 2 USB 2 connectors to connect to for example a nameplate or charge smartphones
- » Active Speaker / Request and Reply list overview
- » Overview of participants and biography
- » Consulting agenda and meeting information
- » Speech time progress bar
- » Voting and voting result visualization (CoCon Voting required)
- » Documentation view (CoCon Documentation license required)
- » Messaging (CoCon Messaging & Services required)
- » Service request (CoCon Messaging & Services required)
- » Option to force all units to display a selected application or function and lock the view
- » Possibility to set, add, modify and time agenda items
- » Option to set up intercom calls (CoCon Intercom Required)

## Software

To fully configure, manage, and use the unit, Televic's CoCon management software is required. The following standard licenses are available:

» CoCon Discussion	71.98.1101
» CoCon Voting	71.98.1104
» CoCon Authentication	71.98.1105
» CoCon Documentation	71.98.1109
» CoCon Messaging & Services	71.98.1110
» CoCon Video Routing	71.98.1113
» CoCon Intercom	71.98.1115

## Certification

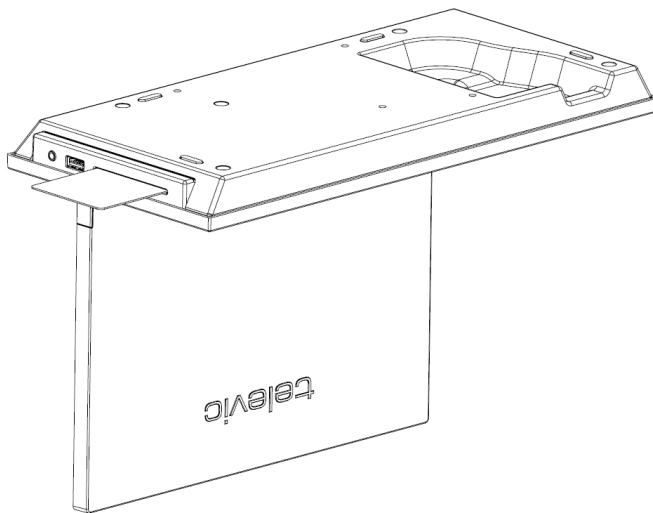
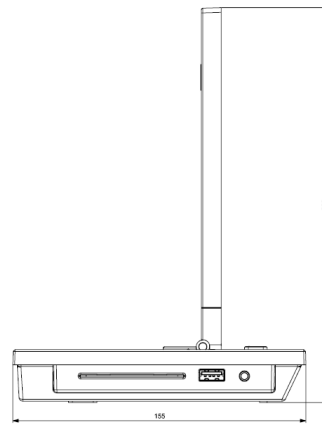
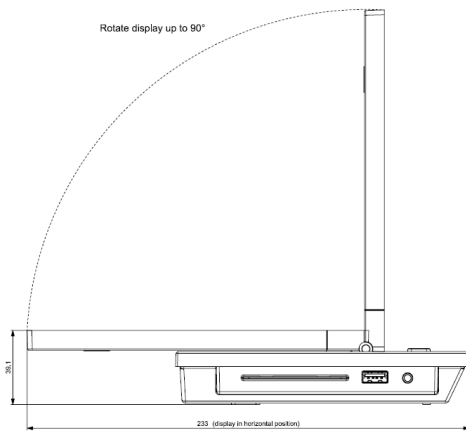
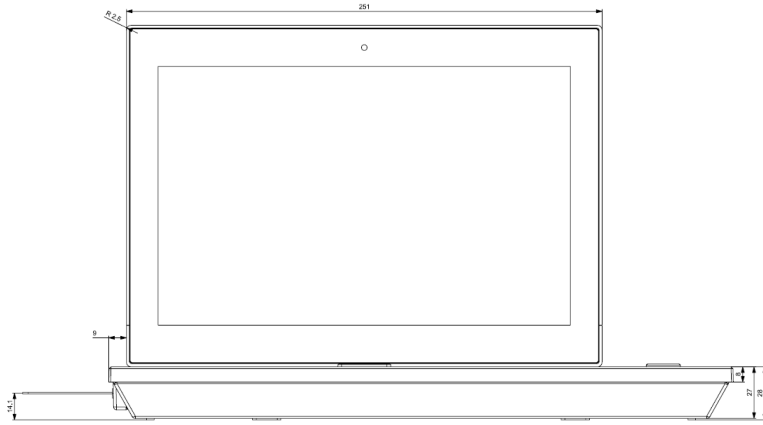
Region	Certification
Europe	CE

## Specifications

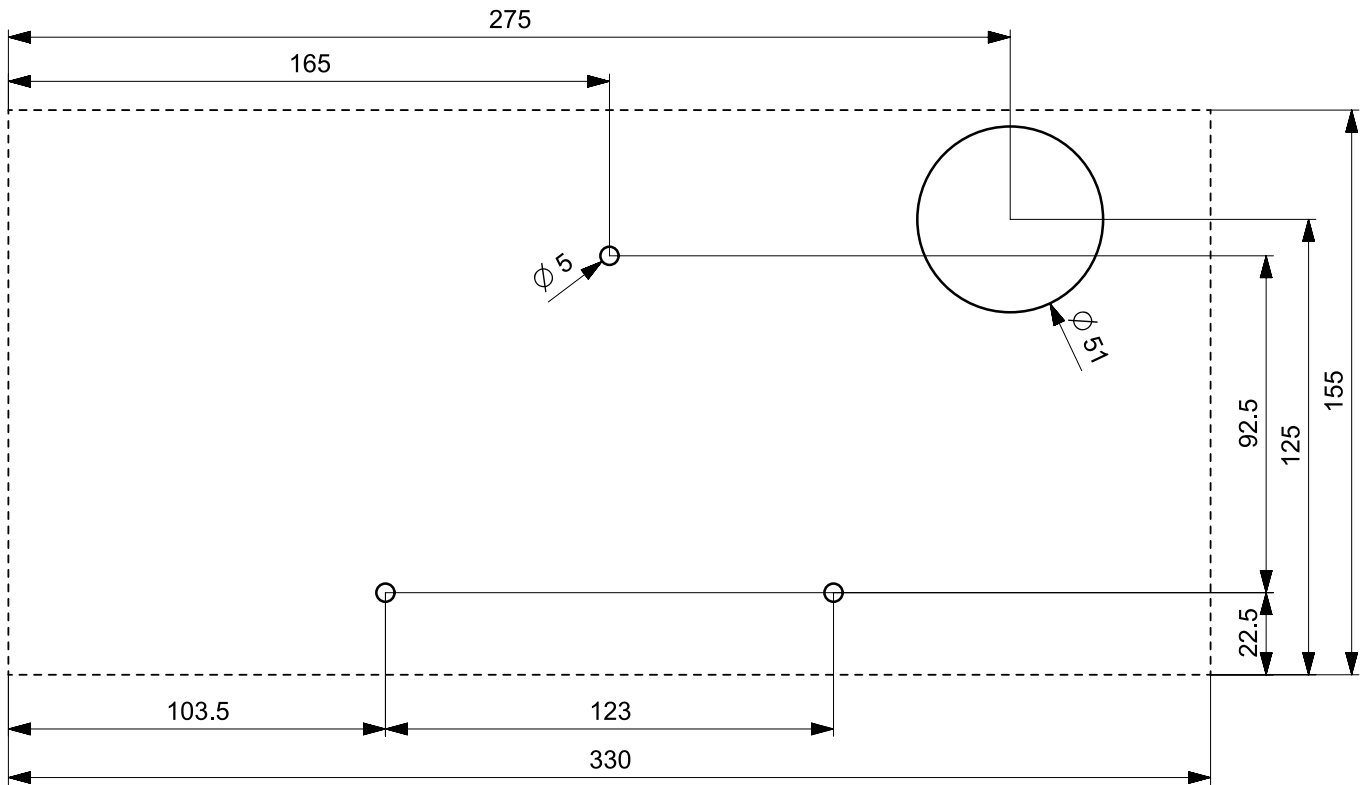
Mechanical	
Material	Brushed zamac with aluminum finishing PC/ABS bottom
Color	Black and gray
Screen angles	0°, 15°, 30°, 45°, 60°, 75° and 90°
Size (upright display position) (W x H w D)	330 x 208 x 155 mm
Size (horizontal display position) (W x H w D)	330 x 40 x 234 mm
Size packed (W x H w D)	470 x 50 x 285 mm
Weight	2,300 g
Weight packed	2,700 g
Electrical	
Voltage	48 VDC

Power consumption (with front USB port in use)	15 W (Additional 2.5 W when using the second USB port)
Power connector	Snap and lock mini DIN power plug
Card reader	ISO 14443 MIFARE Card Reader DESfire support
USB port current	0.5 A
USB port voltage	5 V
Display	
Size	10" diagonal
Active area	216.96 x 135.60 mm
Refresh rate	60 Hz
Screen resolution	1280 x 800
Viewing angle	85° (Left), 85° (Right), 85° (Top), 85° (Bottom)
Luminance	500 cd/m <sup>2</sup>
Technology type	IPS
Touch technology	PCT (Projective Capacitive Touch)
Camera	
Resolution	5 MP
Hierarchical degree of visibility (HDoV)	60 °
Camera mode	1080p @ 30 fps JPG
Speaker Output	
Maximum output power	1.3 W (Zload 8 Ohm)
Frequency response	200-20,000 Hz (-3 dB)
Dynamic range	97 dB / 102 dBA
THD @ nominal level	< 0.1% (@ -20 dBFS)
Load impedance	4 Ω
Headphone Output	
Maximum output	37 mW (Zload 32 Ohm)
Frequency response	22-22,000 Hz (-3 dB)
Dynamic range	94 dB / 97 dBA
THD @ nominal level	< 0.05% (@ -20 dBFS)
Load impedance	16-32 Ω
Microphone Input	
Dynamic range	> 90 dB
Frequency response	20-20,000 Hz
THD @ nominal level	0.1%
Environmental	
Operating temperature	0-45°C
Storage temperature	-20-60°C
Humidity	< 95%, >5%

# Technical Drawings



## Table Cutout



### HQ Belgium

+32 51 30 30 45

conference@televic.com

<https://www.televic.com/en/conference>

### Asia

+86 21 61 48 01 23

conference@televic.com

[www.televic-conference.com.cn](http://www.televic-conference.com.cn)



### France

+33 3 74 09 52 76

conference-france@televic.com

[www.televic-conference.fr](http://www.televic-conference.fr)

### United States

+1 916 920 0901

conference-us@televic.com

All information copyright Televic Conference, 2024.

Televic reserves the right to change this document without notice.

Version 1.0