

3731 / 3731-T

Three-Way Bi-Amplified / Three-Way Tri-Amplified ScreenArray® Cinema Loudspeaker System



Key Features:

- Three-way ScreenArray® design for maximum output, optimal coverage and minimum distortion
- Available for bi-amplified operation (model 3731) or tri-amplified operation (model 3731-T)
- Large Format 3" neodymium, titanium diaphragm, high frequency compression driver
- Low-profile design with single 15" 600 watt LF
- Ships fully assembled
- Molded Optimized Aperture Waveguide technology for ultra-low distortion and extremely uniform frequency response
- SSC™ Screen Spreading Compensation
- Focused coverage technology
- Flat front waveguide design for easy baffle wall installation
- Shallow profile for minimum behind-screen depth requirements



Description:

Today's premier cinemas require perfect coverage in every seat of the auditorium, wide dynamic range and extended bandwidth, as well as inaudible levels of distortion. Digital soundtracks, especially those associated with the latest digital cinema requirements, require sound systems that can accurately reproduce the sound exactly as recorded. Designed for critical sound reproduction in small to medium cinemas and studio production and post production applications, the 3731 next-generation ScreenArray features true three-way design enhanced by advanced engineering. JBL's latest technical innovations are integrated into a system design that provides superior coverage, maximum power handling and uniform acoustic power output, along with extremely low distortion. The ScreenArray design provides ideal power response and directivity control with seamless transitions between acoustic sections.

Specifications:

System: [3731-T Specifications in Brackets]	
Frequency Range	30 Hz – 20 kHz
Frequency Response (±3 dB)	40 Hz – 19 kHz
Rated Maximum SPL	125 dB @ 1m (3.3 ft), 131 dB peak
System Input Power Handling (AES 100-Hour Rating)	LF: 600 W, M/HF: 150 W, [HF: 85 W]
Hor. Coverage Angle (-6 dB)	90°
Vert. Coverage Angle (-6 dB)	20° up, 30° down
Crossover Frequencies	350 Hz [1.2 kHz]
Dimensions (H x W x D)	1600 mm x 762 mm x 450 mm (63 in x 30 in x 17.75 in)
Net Weight	51.8 kg (114 lb)
Shipping Weight	64.0 kg (141 lb)
LF Component Electronics – Model 5641	
Low Frequency Transducer	1 x 2226H 380 mm (15 in) diameter, 100 mm (4 in) edgewound ribbon voice coil mounted in 4507A LF enclosure
Nominal Impedance	8 ohms
Minimum Impedance	6 ohms
Input Power Handling (AES 100-Hour Rating)	600 W, 600 W recommended amplifier
Free-Field Sensitivity	97 dB SPL, 2.83 V @ 1 m (3.3 ft)
Input Connectors	Barrier strip
Dimensions (H x W x D)	546 mm x 762 mm x 448 mm (21.5 in x 30 in x 17.625 in)

Net Weight	28.6 kg (63 lb)
Shipping Weight	37.2 kg (72 lb)
M/HF Component Electronics – Model 3732-M/HF	
Mid Frequency Transducers (Ships Fully Assembled)	2 x 165H, 165 mm (6.5 in) diameter, 38 mm (1.5 in) voice coil
High Frequency Transducer (Ships Fully Assembled)	1 x 2432H, 75 mm (3 in) titanium diaphragm and voice coil diameter, 38 mm (1.5 in) exit diameter
Input Connectors	Screw terminal barrier strip
Nominal Impedance	8 ohms, [MF: 12 ohms, HF: 8 ohms]
Free-Field Sensitivity	103 dB SPL, 2.83 V @ 1 m (3.3 ft) [MF: 107 dB SPL, 2.83 V @ 1 m (3.3 ft)] [HF: 115 dB SPL, 2.83 V @ 1 m (3.3 ft)]
Input Power Handling (AES 100-Hour Rating)	150 W, 300 W recommended amplifier [MF: 150 W, 300 W recommended amplifier] [HF: 85 W, 200 W recommended amplifier]
Dimensions (H x W x D)	1054 mm x 762 mm x 450 mm (41.5 in x 30 in x 17.75 in)
Net Weight	23.2 kg (51 lb)
Shipping Weight	31.3 kg (69 lb)

Specifications are stated in free-field (4pi) conditions.

JBL continually engages in research related to product improvement. Some materials, production methods and design refinements are introduced into existing products without notice as a routine expression of that philosophy. For this reason, any current JBL product may differ in some respect from its published description, but will always equal or exceed the original design specifications unless otherwise stated.

Note: specifications are subject to change without notice.
12/2018. © 2018 Harman International. www.jblpro.com

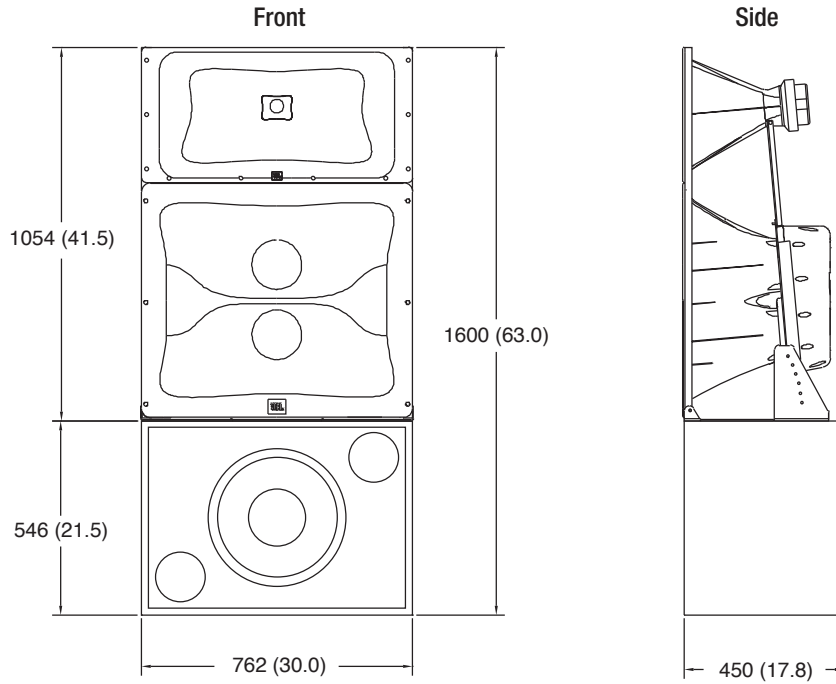
3731 / 3731-T

Three-Way Bi-Amplified / Three-Way Tri-Amplified ScreenArray® Cinema Loudspeaker System



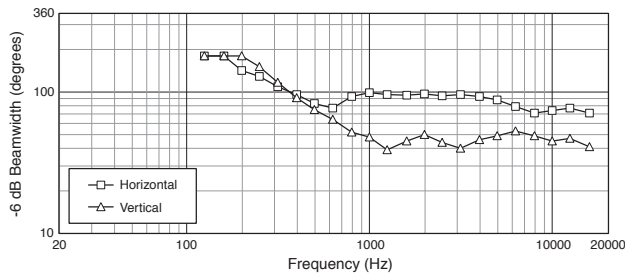
Dimensions:

Dimensions in mm (in)



Graphs:

Bandwidth vs. Frequency



Directivity Index and Directivity Factor

