

OEI-2

OMNEO External Interface – 2

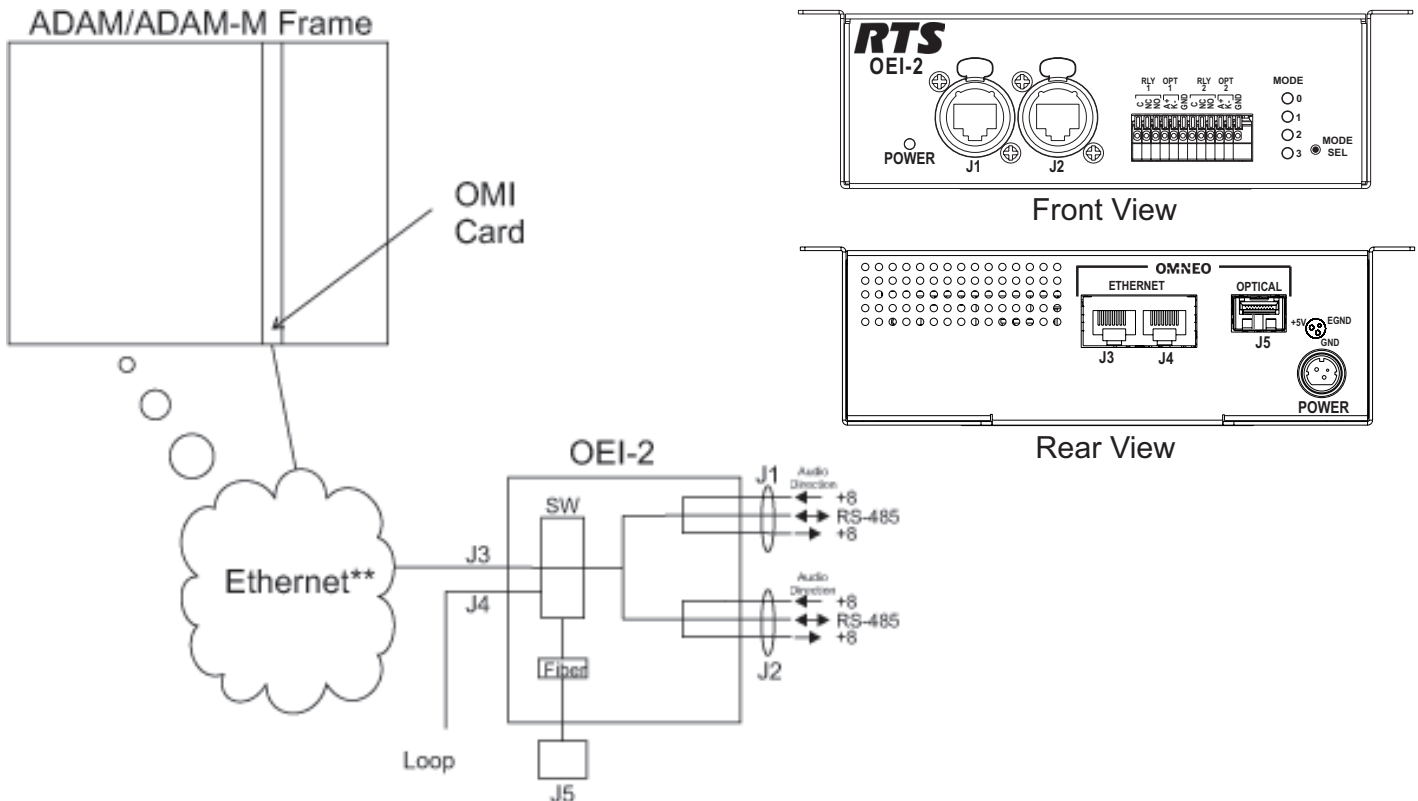
Offering the latest in state of the art technology, the OEI-2 enables connectivity between analog audio sources or legacy RTS keypanels and an OMNEO network. OMNEO sets the standard for the future of audio communications by offering high quality IP compatible audio, ultra low latency, and supports DHCP and Bonjour protocols. OEI-2 supports all RTS analog keypanels.



Features

- Provides an interface between legacy RTS keypanels and the OMI OMNEO interface cards for ADAM and ADAM-M units.
- Provides less than 20ms of audio latency in typical network installations.
- Provides a frequency response of 20Hz to 20KHz to the keypanel
- Supports DHCP and device discovery for easy set up and network management.
- Optional Fiber Connection - Multi-mode or Single-mode available.
- Supports CAT-5/5e and CAT-6 with dual Ethernet connectors for device looping.
- Supports compatibility with third-party Dante products.

Line Drawings



**the signal from the cloud to the OEI-2 can be either 1 or 2 OMNEO Channels

Specifications

	General	
Dimensions	5.80in x 1.93in x 4.45in 147mm x 49mm x 113mm
Weight	23.2 oz 658 gms

	Power	
Requirement	5VDC, 2000mA	
Power Consumption @ 120VAC	21VA
Power Consumption @ 220VAC	27VA

Connections

2 - RJ-45 Ethernet Connectors		
SFP Fiber Connector..... LC Type		
General Purpose Inputs (1,2)		
Type	Optically coupled
Input	Internal pull-up resistor to 5 VDC
	External power source 5-18VDC
General Purpose Outputs (1,2)		
Type	DPDT Relays with common, normal-open and normal-closed contacts
Contact Ratings	1.0 Amp @ 30VDC
Data Keypanel	RS485

Analog

Input

Type	Balanced floating
Level Nominal	8dBu
Level Maximum	20dBu
Impedance	10kΩ

Output

Type	Balanced floating
Level Nominal	8dBu
Level Maximum	20dBu
Impedance	600Ω
THD+Noise	<0.1% (measured at 20-20kHz, +0dBu, unity gain)

Order Information

- OEI-2 • OMNEO EXTERNAL INTERFACE 2-CHANNEL
- RP_OEI_PS_BRK • RP-OEI2 POWER SUPPLY MOUNTING BRACKET
- OMI-SM FIBER • SINGLE-MODE FIBER MODULE
- OMI-MM-FIBER • MULTI-MODE FIBER MODULE

The specification information is preliminary and is subject to change without notification.

For ordering information, contact your regional sales representative at:
<http://rtsintercoms.com/us/intercom/contact>

Brand names mentioned are the property of their respective companies.

Digital

Audio

Frequency Response	20Hz to 20kHz; ±0.1dB
System Gain	0dB

Bandwidth

48kHz/24-bit per channel.....	2.59 Mbits/s
Analog to OMI latency 20ms
OMI to Analog latency 20ms

Environmental

Storage Temperature.....	-4°F to 158°F (-20°C to 70°C)
Operating Temperature.....	32°F to 131°F (0°C to 55°C)

Certifications

EN 55022: 2010/AC:2011, Class A
 KN22 with RRA Notice No. 2013-3, Class A
 AS/NZS CISPR22: 2009 + A1: 2010, Class A
 FCC Part 15, Subpart B, Class A
 ICES-003, Issue 5: 2012, Class A
 VCCI V-3/2013.04, Class A

EN 55024: 2010
 KN 61000-4-2 with RRA Notice No. 2013-4
 KN 61000-4-3 with RRA Notice No. 2013-4
 KN 61000-4-4 with RRA Notice No. 2013-4
 KN 61000-4-5 with RRA Notice No. 2013-4
 KN 61000-4-6 with RRA Notice No. 2013-4
 KN 61000-4-8 with RRA Notice No. 2013-4
 KN 61000-4-11 with RRA Notice No. 2013-4

CSA C22.2 No. 60950-1-07 (2ND ED + AM 1) - Rev 2011/12/19
 EN60950-1:2006 + A1:2010 + A11:2009 + A12:2011 - Rev 2011/01/01
 IEC 60950-1 (2ND ED + AM1) - Rev 2009/12/01
 UL 60950-1 (2ND ED + AM 1) - Rev 2011/12/19