



VRX918S-WH 18" High Power Flying Subwoofer

Professional Series

Key Features:

- ▶ JBL's White DuraFlex™ finish
- ▶ Integral rigging hardware for simple connection of VRX932LA-WH line-arrays and array frame.
- ▶ 18 inch, 2268H Differential Drive® woofer for extended low-frequency output
- ▶ Large port area for reduced distortion

Applications:

- ▶ Auditorium installations
- ▶ Houses of Worship installations
- ▶ Theater and Nightclub installations

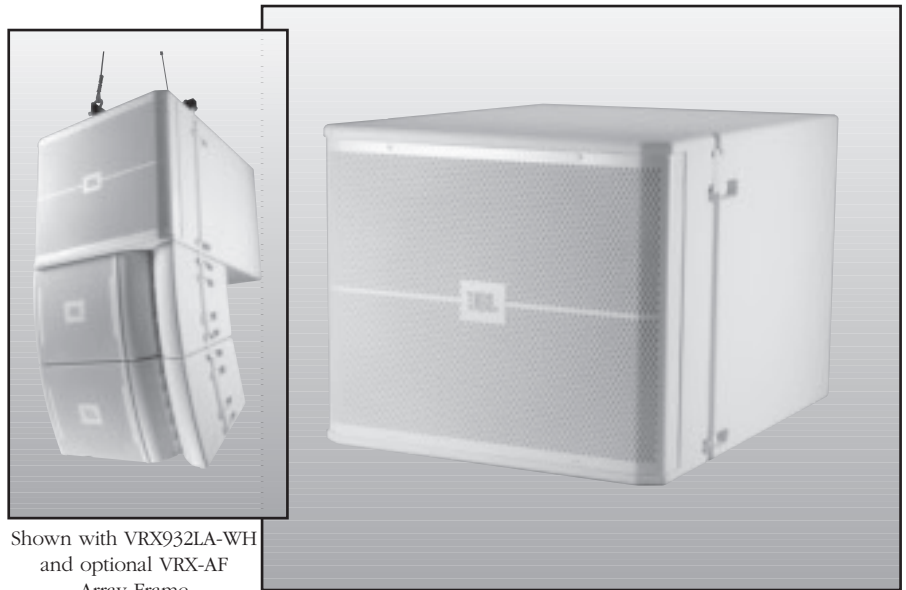
The VRX918S-WH is a compact, high power suspendable subwoofer system containing a 2268H neodymium magnet, patented Differential Drive®, 18" woofer in a front-loaded, vented enclosure. The VRX918S-WH was designed specifically for use in arrays with the VRX932LA-WH Line Array speaker and VRX-AF Array Frame. In addition it may also be used in arrays consisting entirely of VRX918S-WH subwoofers.

The white DuraFlex™ finish makes it appropriate for many houses-of-worship, auditoriums or theaters where the existing décor demands an alternative to a black loudspeaker system. The VRX932LA-WH is optimized for permanent installation with no handles or pole mount attached.

The system offers complete input connection flexibility for compatibility with a variety of cabling schemes. A recessed, external switch allows selection of either contacts +1/-1 or +2/-2.

The enclosure is constructed of top quality birch plywood, coated in JBL's White DuraFlex™ finish and is heavily braced to maximize low-frequency performance. The attractive CNC-machined, 16-gauge steel grille is backed with acoustically transparent white cloth to provide additional driver protection and give a very professional appearance.

The VRX918S is manufactured and sold under U.S. patents 5,748,760 and 6,847,726.



Shown with VRX932LA-WH and optional VRX-AF Array Frame

Specifications:

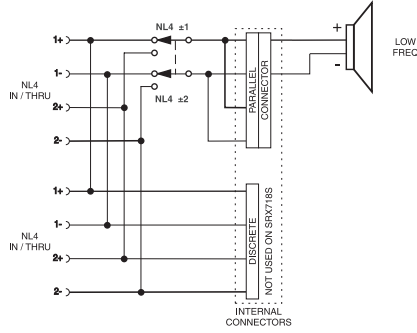
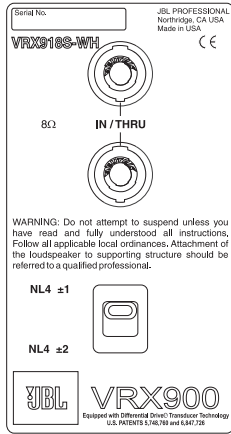
System Type:	18" bass-reflex subwoofer
Frequency Range (-10 dB):	31 Hz – 220 Hz
Frequency Response (±3 dB):	34 Hz – 220 Hz
Input Connection Modes:	Switchable, +1/-1 or +2/-2
Recommended Crossover Frequencies:	80 Hz, 24 dB / octave HPF; 80 Hz, 24 dB / octave LPF
Power Rating (Continuous ¹ / Program / Peak):	800 W / 1600 W / 3200 W
Maximum SPL ² :	130 dB SPL peak
Sensitivity (1w @ 1m):	95 dB SPL
LF Driver:	1 x JBL 2268H 457 mm (18 in) Differential Drive woofer
Nominal Impedance:	8 ohms
Active Tunings:	Use SRX718S tunings
Suspension / Mounting:	Optional VRX-AF line array frame kit; M-10 eyebolt kit.
Enclosure:	Rectangular, 18 mm, 13-ply birch plywood
Finish:	White DuraFlex finish
Grille:	Powder coated, white, 16-gauge perforated steel with acoustical transparent white cloth backing.
Input Connectors:	Neutrik® Speakon® NL-4 (x2)
Dimensions (H x W x D):	508 mm x 597 mm x 749 mm; (20.0 in x 23.5 in x 29.5 in)
Net Weight:	37 kg (81 lb)
Optional Accessories:	Three piece M-10 threaded eyebolt kit VRX-AF: Array Frame Kit

¹40 Hz to 120 Hz pink noise with 6 dB crest factor.
²Calculated based on power rating and sensitivity.

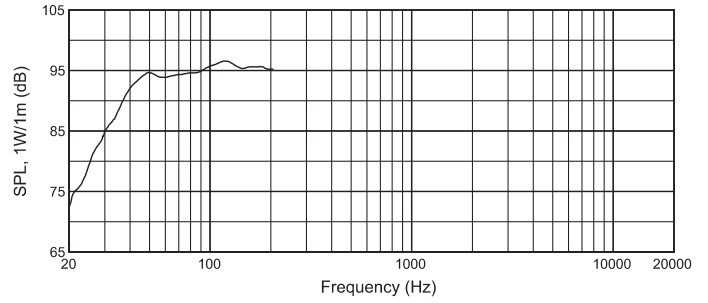
JBL continually engages in research related to product improvement. Some materials, production methods and design refinements are introduced into existing products without notice as a routine expression of that philosophy. For this reason, any current JBL product may differ in some respect from its published description, but will always equal or exceed the original design specifications unless otherwise stated.

► VRX918S-WH 18" High Power Flying Subwoofer

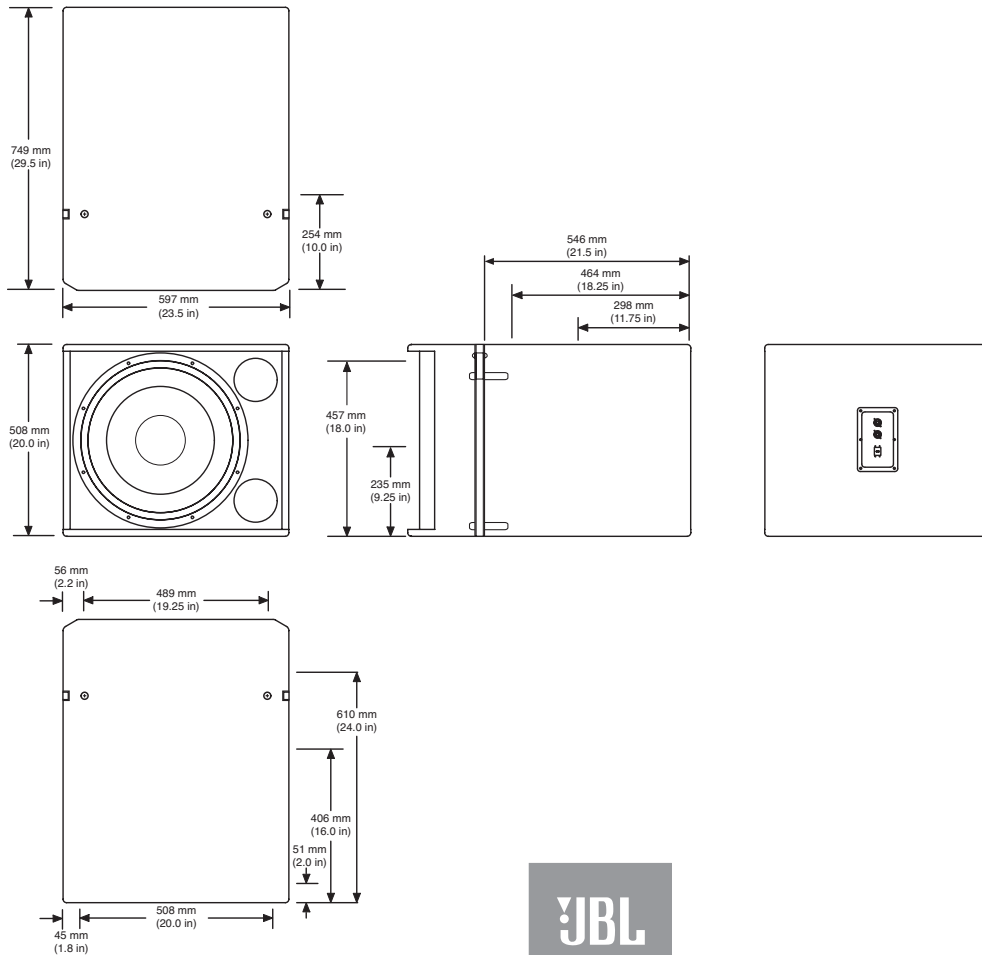
Block Diagram



Frequency Response



Dimensions



JBL Professional
8500 Balboa Boulevard, P.O. Box 2200
Northridge, California 91329 U.S.A.
A Harman International Company
© Copyright 2005 JBL Professional

SS VRX918S-WH
CRP_5M
11/05