

### Professional Series

### Key Features:

- ▶ 250 Watt power handling (average continuous pink noise) with high sensitivity provides high SPL capability.
- ▶ Consistent 120° x 120° broadband pattern control
- ▶ Extraordinary clarity cinema surround with extended frequency response for special effects
- ▶ Components:
  - 200 mm (8 in) woofer with Kevlar-reinforced cone and 50 mm (2 in) voice coil.
  - 25 mm (1 in) exit compression driver with unique patented design and high temperature polymer diaphragm.
- ▶ 70 Hz – 20 kHz frequency response
- ▶ High-power passive crossover network
- ▶ Overload protection

### Applications:

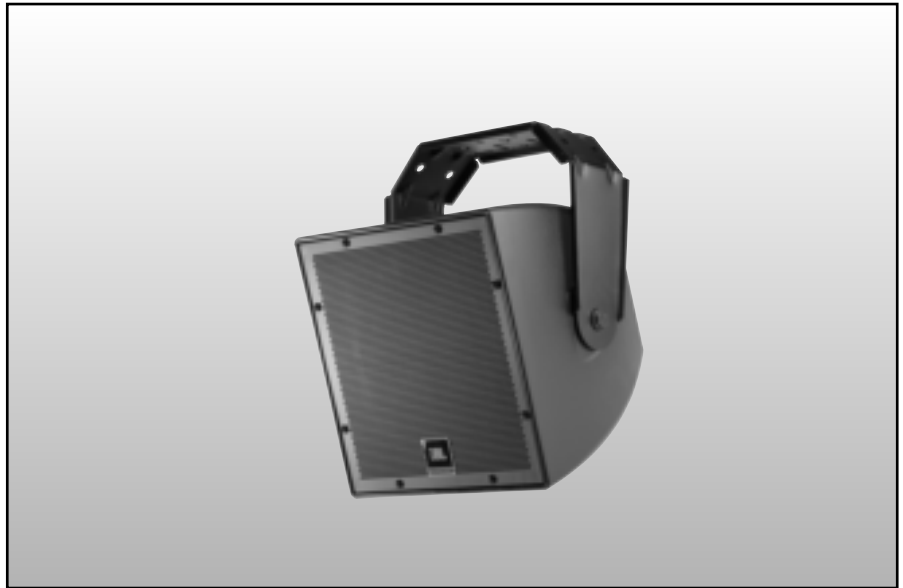
The SCS 8 is a coaxial-driver, 2-way, full-range cinema surround loudspeaker ideal for multi-channel surround formats and is designed for overhead installation as well as for standard on-wall installations

The SCS 8 is comprised of a high-power coaxial 200 mm (8 in) low frequency driver and 25 mm (1 in) high frequency compression driver. The coaxial design utilizes a unique tapered pole-piece design and transitions to the cone of the low frequency driver as a large diameter pattern control horn for the high frequencies, both eliminating high-frequency beaming and extending pattern control to the lowest possible frequencies. The result is a coaxial speaker with wide, extremely consistent 120° coverage on a broadband basis.

Component features include a Kevlar-reinforced low-frequency cone for reliability, well-damped surround edge for smooth frequency response, high-temperature voice coil and a reduced distortion design through saturated-gap magnet geometry. The high-frequency compression driver features a unique patented design, high-temperature polymer diaphragm, and fluid cooling for high output levels with low distortion..

The enclosure is constructed of thick, ABS plus fiberglass and is heavily braced to maximize low-frequency performance.

A heavy-duty zinc-rich U-type mounting bracket is included.



### Specifications:

#### System:

Frequency Range (-10 dB) <sup>1</sup> :	70 Hz – 20 kHz
Frequency Response (±3 dB) <sup>2</sup> :	90 Hz – 20 kHz
Coverage Pattern <sup>2</sup> :	120° x 120°
Directivity Factor:	8.1 (1 k – 16 kHz)
Directivity Index (DI):	8.4 dB (1 k – 16 kHz)
Long-Term System Power Rating (IEC) <sup>3</sup> :	250 W 2 hrs. 200 W 100 hrs
Sensitivity (2.83V @ 1m):	94 dB (Ave. 90 Hz – 20 kHz)
Maximum SPL <sup>4</sup> :	118 dB (peaks of 124 dB) @ 1m
Crossover Network:	2.1 kHz, 3rd order (18 dB/oct) high-pass plus conjugate to HF, 2nd order low-pass to LF
Nominal Impedance:	8 ohms

#### Transducers:

Low Frequency Driver:	Kevlar-reinforced cone with weather treatment, 50 mm (2 in) voice coil.
High Frequency Driver:	25 mm (1 in) diaphragm and voice coil diameter, high temperature polymer diaphragm, patented design, fluid-cooling.
HF Driver Protection:	Minimum audibility SonicGuard™ HF overload protection

#### Physical:

Enclosure:	ABS with Glass enclosure
Attachment:	Two M10 points for included U-bracket. M6 secondary safety attachment point on back panel.
Grille:	Corrosion-resistant zinc-rich steel grille.
Input Connection:	CE-compliant covered barrier strip terminals. Barrier terminals accept up to 9 mm outside 4 mm inside open-lug (#6, #8 or #10) plus bare wire up to 2.5 mm <sup>2</sup> (12 AWG) wire or spade lugs.
Dimensions:	300 x 300 x 305 mm (11.8 x 11.8 x 12.0 in), cabinet 359 mm (14.2 in) including bracket extending to back
Colors:	Black
Net Weight:	8.2 kg (18 lb), 10.0 kg (22.0 lb) with U-Bracket
Shipping Weight:	11.4 kg (25.0 lb)
Included Accessories:	U-bracket, steel.

<sup>1</sup> Full-space (free-field)

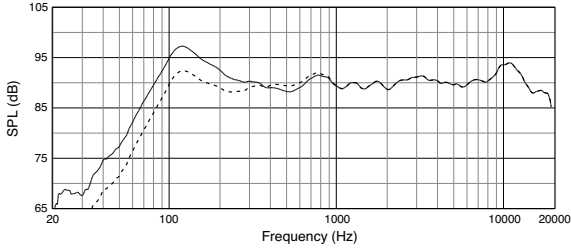
<sup>2</sup> Average 1 kHz to 10 kHz

<sup>3</sup> IEC standard, full bandwidth pink noise with 6 dB crest factor.

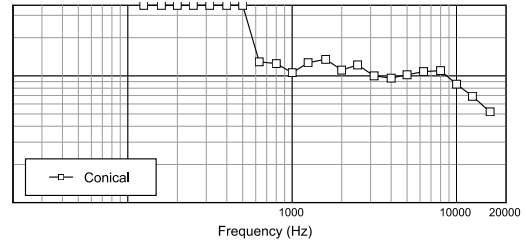
<sup>4</sup> Calculated based on power rating and measured full-space sensitivity.

# ► SCS8 Spatially Cued Surround, 2-Way Coaxial Loudspeaker with 8" LF

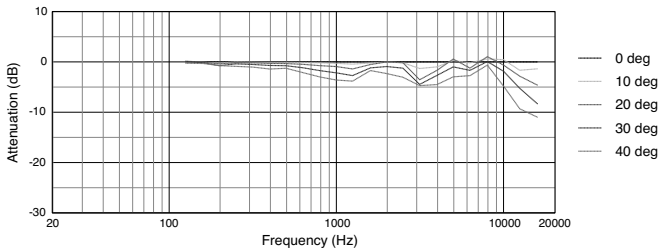
Frequency Response in half-space ( $2\pi$ , solid line) and full-space ( $4\pi$ , dotted line)



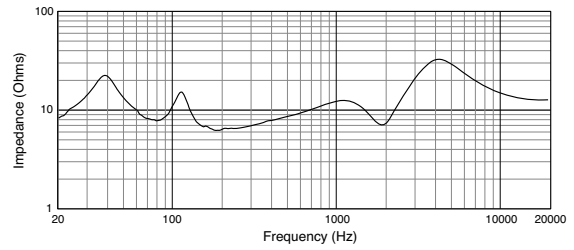
Beamwidth vs. Frequency



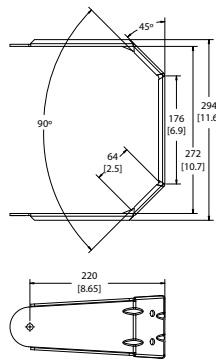
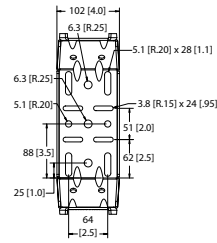
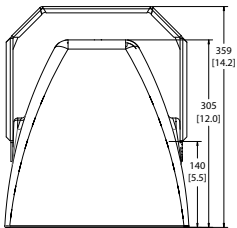
Off-Axis Frequency Response



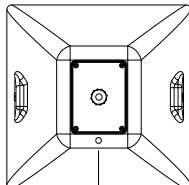
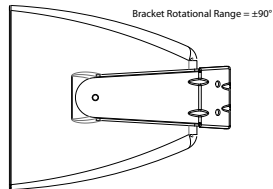
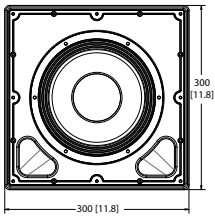
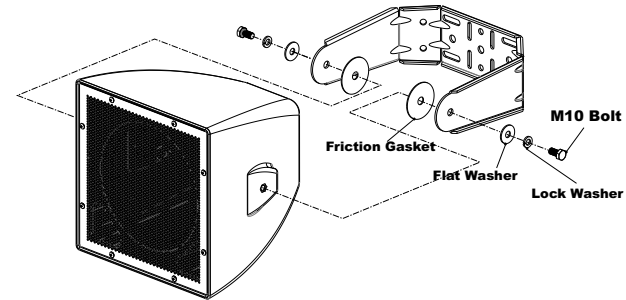
Impedance



## Dimensions



## Attaching U-Bracket to Cabinet



M6 secondary safety attachment point



JBL Professional  
8500 Balboa Boulevard, P.O. Box 2200  
Northridge, California 91329 U.S.A.

© Copyright 2013 JBL Professional  
[www.jblpro.com](http://www.jblpro.com)

SS SCS8  
CRP  
03/13