



## Features

**DriveCore™ Technology** – Crown’s proprietary DriveCore technology eliminates hundreds of components within each amplifier, reducing the variability of component values, increasing reliability, resulting in incredible audio fidelity from an efficient design.

**Network Control and Monitoring** – Through HARMAN’s HiQnet Audio Architect software, the CDi DriveCore can be controlled, configured, and monitored through standard TCP/IQ network.

**DSP** – On-board Digital Signal Processor in each amplifier allows for custom configuration and includes these integrated features:

- Input Router
- Input Delay – Up to 1000ms
- Input Parametric EQ – 8 band
- Crossover
- Output Parametric EQ – 8 band
- Output Delay – Up to 100ms
- LevelMAX™ Limiter

**BLU link** (BL models only) – Both receive and send channels over HARMAN’s 256 channel, fault-tolerant audio BUS, BLU link.

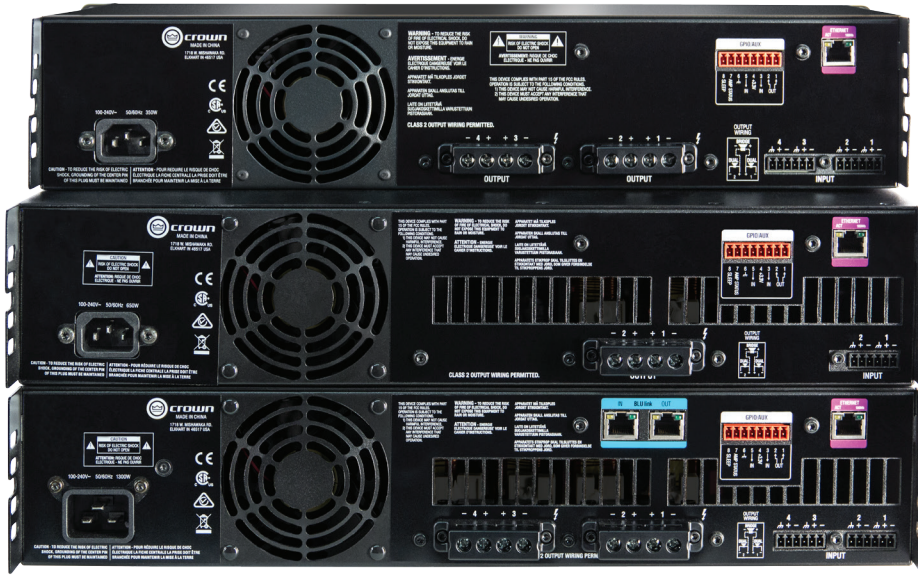
**Direct Drive 70/100Vrms Output** – Each output channel is capable of providing either 70V or 100V for high impedance applications.

**Front-Panel Interface** – Completely configure the amplifier using an intuitive front-panel interface.

**GPIO/AUX Port** – Recall presets, mute channels, monitor faults, power on/off the amplifier, and more through a combined GPIO/AUX Port.

**Pre-loaded Speaker Tunings** – For quicker and easier setup and installation.

# CDI DriveCore™ Series



CDi DriveCore 4|600, 2|1200 and 4|1200BL models shown

## Specifications

### Input Sensitivity

Amp Model	8Ω			70Vrms			100Vrms		
	37dB Gain Mode	34dB Gain Mode	26dB Gain Mode	37dB Gain Mode	34dB Gain Mode	26dB Gain Mode	37dB Gain Mode	34dB Gain Mode	26dB Gain Mode
2 300 / 2 300BL	0.7Vrms (-0.8dBu, -3.0dBV)	1.0Vrms (2.2dBu, 0.0dBV)	2.5Vrms (10.2dBu, 8.0dBV)	1.0Vrms (2.2dBu, 0.0dBV)	1.4Vrms (5.2dBu, 3.0dBV)	3.5Vrms (13.2dBu, 11.0dBV)	1.4Vrms (5.2dBu, 3.0dBV)	2.0Vrms (8.2dBu, 6.0dBV)	5.0Vrms (16.2dBu, 14.0dBV)
4 300 / 4 300BL	0.7Vrms (-0.8dBu, -3.0dBV)	1.0Vrms (2.2dBu, 0.0dBV)	2.5Vrms (10.2dBu, 8.0dBV)	1.0Vrms (2.2dBu, 0.0dBV)	1.4Vrms (5.2dBu, 3.0dBV)	3.5Vrms (13.2dBu, 11.0dBV)	1.4Vrms (5.2dBu, 3.0dBV)	2.0Vrms (8.2dBu, 6.0dBV)	5.0Vrms (16.2dBu, 14.0dBV)
2 600 / 2 600BL	0.7Vrms (-0.8dBu, -3.0dBV)	1.0Vrms (2.2dBu, 0.0dBV)	2.5Vrms (10.2dBu, 8.0dBV)	1.0Vrms (2.2dBu, 0.0dBV)	1.4Vrms (5.2dBu, 3.0dBV)	3.5Vrms (13.2dBu, 11.0dBV)	1.4Vrms (5.2dBu, 3.0dBV)	2.0Vrms (8.2dBu, 6.0dBV)	5.0Vrms (16.2dBu, 14.0dBV)
4 600 / 4 600BL	0.7Vrms (-0.8dBu, -3.0dBV)	1.0Vrms (2.2dBu, 0.0dBV)	2.5Vrms (10.2dBu, 8.0dBV)	1.0Vrms (2.2dBu, 0.0dBV)	1.4Vrms (5.2dBu, 3.0dBV)	3.5Vrms (13.2dBu, 11.0dBV)	1.4Vrms (5.2dBu, 3.0dBV)	2.0Vrms (8.2dBu, 6.0dBV)	5.0Vrms (16.2dBu, 14.0dBV)
2 1200 / 2 1200BL	0.7Vrms (-0.8dBu, -3.0dBV)	1.0Vrms (2.2dBu, 0.0dBV)	2.5Vrms (10.2dBu, 8.0dBV)	1.0Vrms (2.2dBu, 0.0dBV)	1.4Vrms (5.2dBu, 3.0dBV)	3.5Vrms (13.2dBu, 11.0dBV)	1.4Vrms (5.2dBu, 3.0dBV) 150W	2.0Vrms (8.2dBu, 6.0dBV)	5.0Vrms (16.2dBu, 14.0dBV)
4 1200 / 4 1200BL	0.7Vrms (-0.8dBu, -3.0dBV)	1.0Vrms (2.2dBu, 0.0dBV)	2.5Vrms (10.2dBu, 8.0dBV)	1.0Vrms (2.2dBu, 0.0dBV)	1.4Vrms (5.2dBu, 3.0dBV)	3.5Vrms (13.2dBu, 11.0dBV)	1.4Vrms (5.2dBu, 3.0dBV)	2.0Vrms (8.2dBu, 6.0dBV)	5.0Vrms (16.2dBu, 14.0dBV)

# CDI DriveCore™ Series



## Output Power: Dual Mode – All Channels Driven

Amp Model	Channels	2Ω	4Ω	8Ω	16Ω	70Vrms	100Vrms
2 300 / 2 300BL	2	150W	300W	300W	150W	300W	300W
4 300 / 4 300BL	4	150W	300W	300W	150W	300W	300W
2 600 / 2 600BL	2	300W	600W	600W	300W	600W	600W
4 600 / 4 600BL	4	300W	600W	600W	300W	600W	600W
2 1200 / 2 1200BL	2	850W	1200W	1200W	600W	1200W	1200W
4 1200 / 4 1200BL	4	850W	1200W	1200W	600W	1200W	1200W

Minimum Guaranteed Power (1kHz, all channels driven, max distortion 0.5%, duration 0.5 seconds, 120 – 240Vrms –50/60Hz)

## Output Power: Bridge Mono Mode – All Channels Driven

Amp Model	4Ω	8Ω	16Ω	140Vrms	200Vrms
2 300 / 2 300BL	300W	600W	600W	600W	600W
4 300 / 4 300BL	300W	600W	600W	600W	600W
2 600 / 2 600BL	600W	1200W	1200W	1200W	1200W
4 600 / 4 600BL	600W	1200W	1200W	1200W	1200W
2 1200 / 2 1200BL	1200W	2400W	2400W	2400W	2400W
4 1200 / 4 1200BL	1200W	2400W	2400W	2400W	2400W

Minimum Guaranteed Power (1kHz, all channels driven, max distortion 0.5%, duration 0.5 seconds, 120 – 240Vrms –50/60Hz)

# CDI DriveCore™ Series

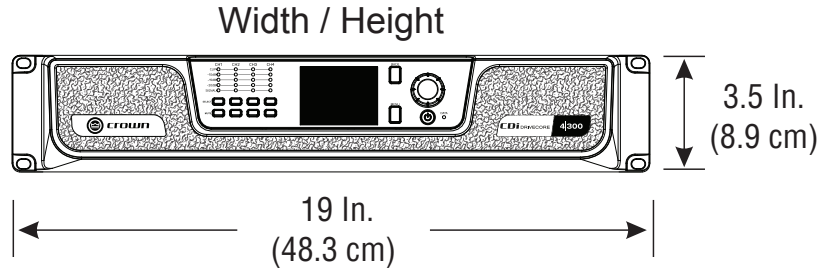
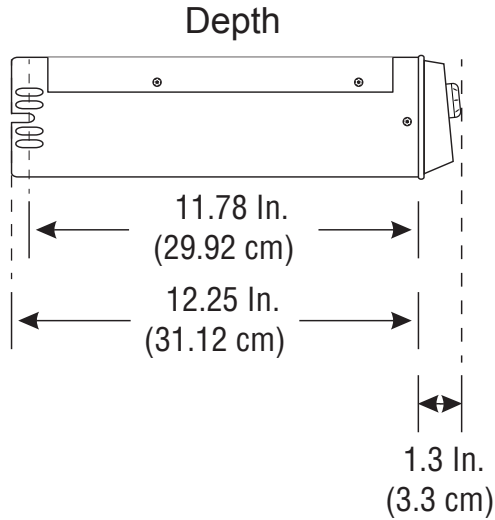
## Performance Specifications

Specification Description	2 300 / 2 300BL	4 300 / 4 300BL	2 600 / 2 600BL	4 600 / 4 600BL	2 1200 / 2 1200BL	4 1200 / 4 1200BL
Digital Signal Processing	96kHz, 32-bit floating point	96kHz, 32-bit floating point	96kHz, 32-bit floating point	96kHz, 32-bit floating point	96kHz, 32-bit floating point	96kHz, 32-bit floating point
Voltage Gain (at maximum level setting) 4/8Ω, 70Vrms and 100Vrms Operation	34dB	34dB	34dB	34dB	34dB	34dB
Frequency Response (8Ω, 20Hz - 20kHz)	+/-0.5dB	+/-0.5dB	+/-0.5dB	±0.25dB	±0.25dB	±0.25dB
BLU link Signal-to-Noise Ratio (ref. rated power, 100V, 20Hz - 20kHz)	>108dB	>108dB	>108dB	>108dB	>108dB	>108dB
Total Harmonic Distortion (at full rated power, from 20Hz - 20kHz)	0.35%	0.35%	0.35%	0.35%	0.35%	0.35%
Analog Input Signal to Noise Ratio (ref. rated power, 100V, 20Hz - 20kHz)	>104dB	>104dB	>104dB	>104dB	>104dB	>104dB
Intermodulation Distortion (60Hz and 7kHz at 4:1, from -30dB to full rated power)	≤0.35%	≤0.35%	≤0.35%	≤0.35%	≤0.35%	≤0.35%
Damping Factor (20Hz to 100Hz)	>1000	>1000	>1000	>1000	>1000	>1000
Crosstalk (below rated power, 20Hz to 1kHz)	>80dB	>80dB	>80dB	>80dB	>80dB	>80dB
Common Mode Rejection (20Hz to 1kHz, typical)	>70dB	>70dB	>70dB	>70dB	>70dB	>70dB
DC Output Offset (with inputs shorted)	±10mV	±10mV	±10mV	±10mV	±10mV	±10mV
Input Impedance (Nominally balanced, nominally unbalanced)	20 kΩ balanced, 10 kΩ unbalanced	20 kΩ balanced, 10 kΩ unbalanced	20 kΩ balanced, 10 kΩ unbalanced	10 kΩ balanced, 5 kΩ unbalanced	10 kΩ balanced, 5 kΩ unbalanced	10 kΩ balanced, 5 kΩ unbalanced
Maximum Input Level (Low Amp Gain Mode)	+20dBu	+20dBu	+20dBu	+20dBu	+20dBu	+20dBu
Required AC Mains (±10%)	100V – 240V~ 50/60Hz	100V – 240V~ 50/60Hz	100V – 240V~ 50/60Hz	100V – 240V~ 50/60Hz	100V – 240V~ 50/60Hz	100V – 240V~ 50/60Hz
Cooling	Continuously variable speed forced air, front-to-back airflow	Continuously variable speed forced air, front-to-back airflow	Continuously variable speed forced air, front-to-back airflow	Continuously variable speed forced air, front-to-back airflow	Continuously variable speed forced air, front-to-back airflow	Continuously variable speed forced air, front-to-back airflow
Power Supply Connector	Standard IEC type 320 inlet for detachable connector 100 – 240V~	Standard IEC type 320 inlet for detachable connector 100 – 240V~	Standard IEC type 320 inlet for detachable connector 100 – 240V~	15A IEC connector, 100 – 240V	15A IEC connector, 100 – 240V	20A IEC connector, 100 – 240V
Load Impedance Stereo/Dual Mode	2Ω - 16Ω; 70Vrms and 100Vrms	2Ω - 16Ω; 70Vrms and 100Vrms	2Ω - 16Ω; 70Vrms and 100Vrms	2Ω - 16Ω; 70Vrms and 100Vrms	2Ω - 16Ω; 70Vrms and 100Vrms	2Ω - 16Ω; 70Vrms and 100Vrms
Load Impedance Bridge Mono	4Ω - 16Ω; 140Vrms and 200Vrms	4Ω - 16Ω; 140Vrms and 200Vrms	4Ω - 16Ω; 140Vrms and 200Vrms	4Ω - 16Ω; 140Vrms and 200Vrms	4Ω - 16Ω; 140Vrms and 200Vrms	4Ω - 16Ω; 140Vrms and 200Vrms
Maximum Fan Noise (re dB SPL @ 1M)	51dBA	51dBA	51dBA	51dBA	54 dBA	54dBA
Weight	14.56 lbs (6.6 kg)	16.13 lbs (7.31 kg)	14.56 lbs (6.6 kg)	16.3 lbs (7.39 kg)	17.2 lbs (7.8 kg)	20.1 lbs (9.12 kg)

# CDI DriveCore™ Series

## Dimensions

2|300 / 2|300BL / 4|300 / 4|300BL / 2|600 / 2|600BL / 4|600 / 4|600BL



2|1200 / 2|1200BL / 4|1200 / 4|1200BL

